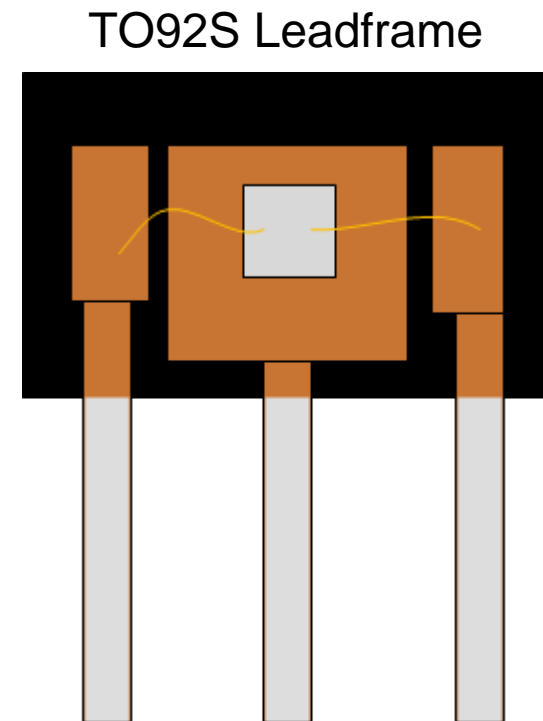


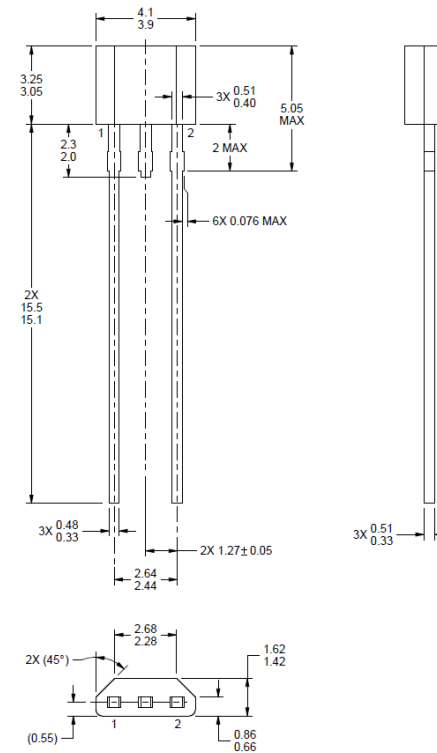
Temperature Sensors Dominant Thermal Path

- Temperature sensors are sensing the element through device's package and its metal leads
- The majority contribution of the thermal path is through GND pin and package's DAP



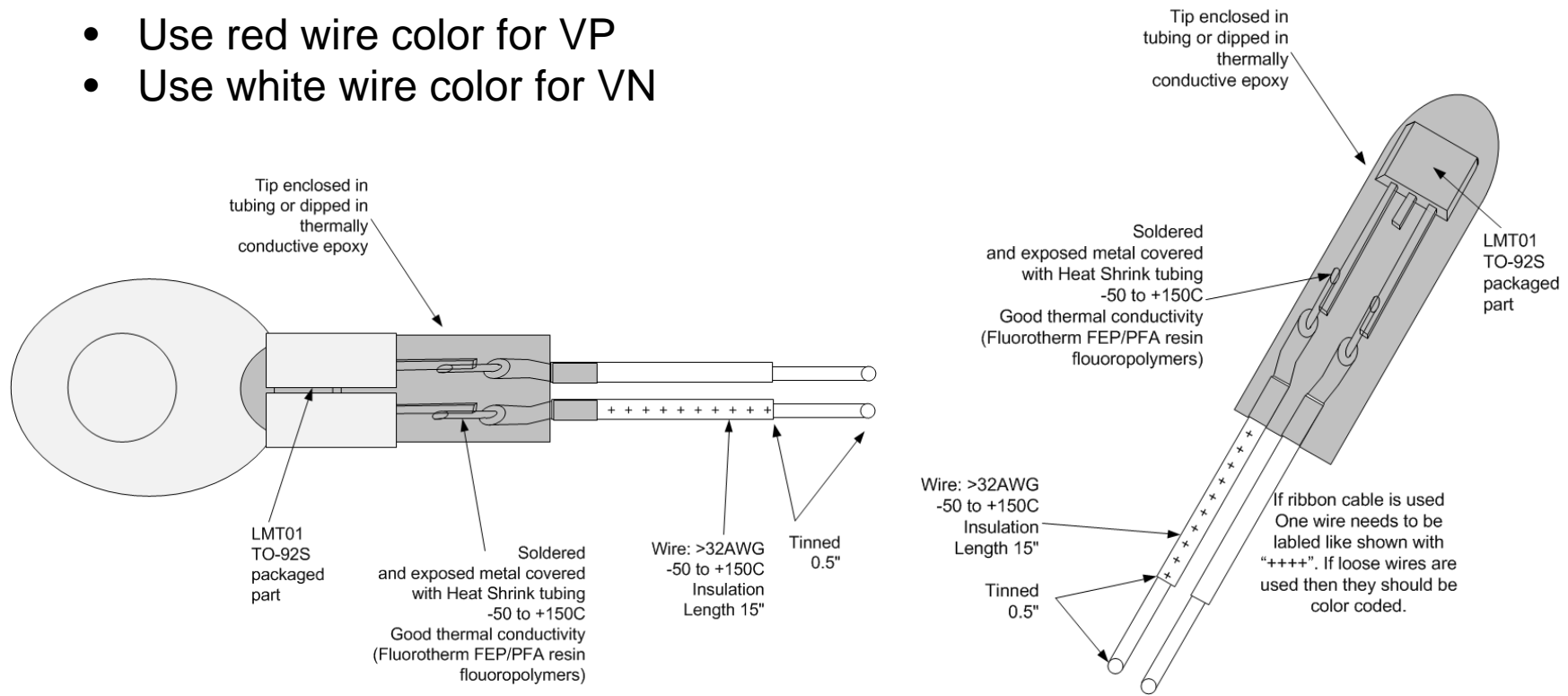
LMT01 TO92S Dimension

- Do **NOT** trim off the middle pin
- Do **NOT** trim pin 1 & 2 for stainless steel and plastic probes
- **ONLY** trim pin 1 & 2 desired length for rug probe



LMT01 Probe Formation

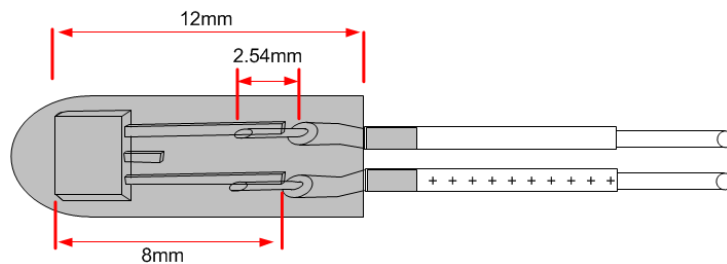
- Use red wire color for VP
- Use white wire color for VN



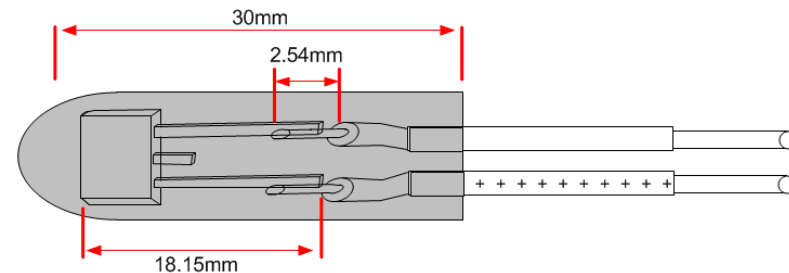
Assembly Dimension

- Rug Probe
 1. Trim pin 1 & 2 to 8mm
 2. Strip off 2.54mm of insulator from the wire
- Stainless Steel & Plastic Probes
 - Do **NOT** trim pin 1 & 2
 - Strip off 2.54mm of insulator from the wire

RUG Probe



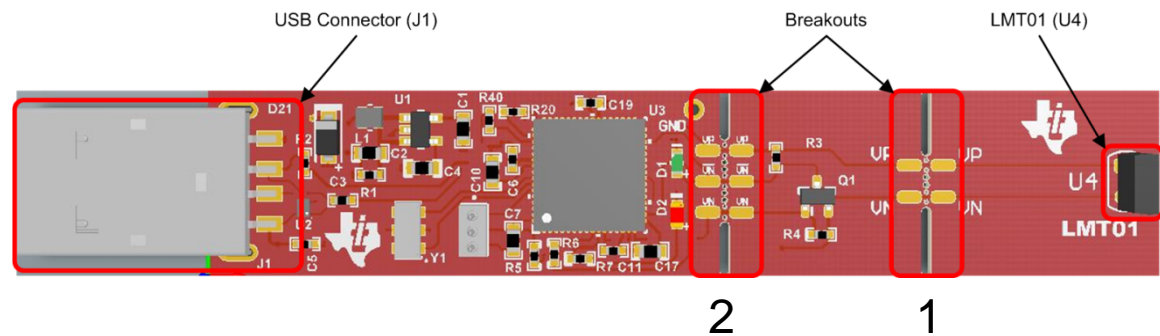
Stainless Steel & Plastic Probes



Probe Test Using LMT01EVM

- Break the first breakouts tab
- Solder socket header on the VP and VN pads

PPTC021LFBN-RC



Equipment: Thermometer Readout

- Recommended thermometer 1502A or equivalent with 0.5°C accuracy or better
- Place the probes batch in the lab environment before testing. This helps reducing the gradient temperature.

Fluke 1502A



Fluke Probe 5615

