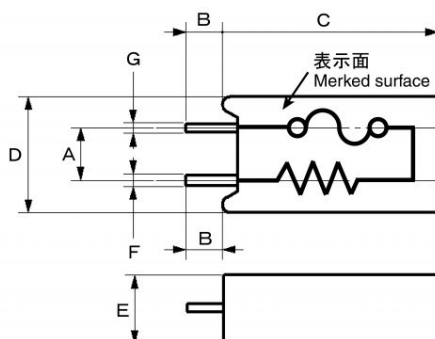


Features

- Thermal links / Resistor assemblies is a product that combined with thermal links of fusible alloy type and 1W wire wound resistor type.
- F1K is RoHS compliance product, non-Pb and non-Cd contains.
- F1K got excellent interception characteristic when abnormality overload happened.
- Especially, F1K adopted excellent characteristic resistive element against the In-rush current, and it is the best for preventing In-rush current.



Dimensions (mm)

A	B	C	D	E	F	G
5±0.5	3.5+1,-0.5	14.5±0.5	12±0.5	5±0.2	0.58±0.04	0.53±0.04

Specification

Type No.	Nominal Resistance Value (Ω)	Resistance Tolerance (%)	Rated functioning temperature (°C)	Rated Power (W)	Voltage (V)
F1K□□□J14-X	1.8~47	±5	145	1.0	AC250

Safety standard information

Type No.	Safety standard approval					
	PSE	UL	C-UL	VDE	CCC	KC
F1K□□□J14-X	-	E73591	E73591	-	-	-

- Please feel free to contact us in regard of the details of safety standard approvals.