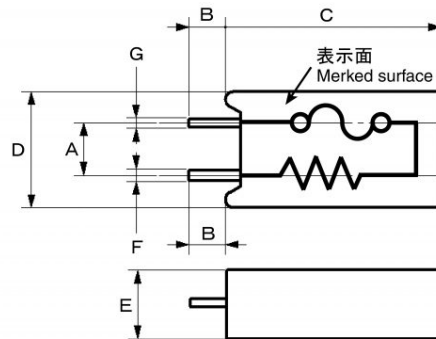




## Features

- Thermal links / Resistor assemblies is a product that combined with thermal links of fusible alloy type and 2W wire wound resistor type.
- F2K is RoHS compliance product, non-Pb and non-Cd contains.
- F2K got excellent interception characteristic when abnormality overload happened.
- Especially, F2K adopted excellent characteristic resistive element against the In-rush current, and it is the best for preventing In-rush current.



Dimensions (mm)

A	B	C	D	E	F	G
5±0.5	3.5+1, -0.5	19.5±0.5	11±0.5	7±0.5	0.80±0.04	0.58±0.04

## Specification

Type No.	Nominal Resistance Value (Ω)	Resistance Tolerance (%)	Rated functioning temperature (°C)	Rated Power (W)	Voltage (V)
F2K□□□J11	1.8~470	±5	115	1.0	AC250
F2K□□□J13-X	1.8~470		134	1.5	
F2K□□□J14	1.8~470		145	1.6	

## Safety standard information

Type No.	Safety standard approval					
	PSE	UL	C-UL	VDE	CCC	KC
F2K□□□J11	-	-	-	-	-	-
F2K□□□J13-X	-	E73591	E73591	40018124	-	-

F2K□□□J14	-	E73591	E73591	-	-	-
-----------	---	--------	--------	---	---	---

- Please feel free to contact us in regard of the details of safety standard approvals.
-