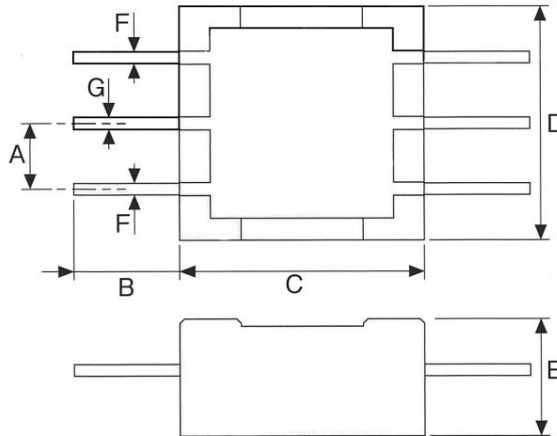


Features

- The thermal links for fusible alloy type is a product that combines one and two 2W resistance elements.
- F2R is RoHS compliance product, non-Pb and non-Cd contains.
- 169 substances very high concern (SVHC) specified by the REACH rule is not used.? (169 substances are published on June 20, 2016)
- F2R got excellent interception characteristic when abnormality overload happened.
- It is the best for the circuit protection of an electric carpet and an electric blanket.



Dimensions (mm)						
A	B	C	D	E	F	G
4.6±0.5	32±1.0	16±0.5	16.2±0.5	8±0.5	0.80±0.04	0.58±0.04

Specification

Type No.	Nominal Resistance Value (Ω)	Resistance Tolerance (%)	Rated functioning temperature (°C)	Rated Power (W)	Voltage (V)
F2R□□□J10	150~1.5k	±5	102	2W/1element	AC250

Safety standard information

Type No.	Safety standard approval					
	PSE	UL	C-UL	VDE	CCC	KC
F2R□□□J10	JET5823-32001-1003	-	-	-	-	-