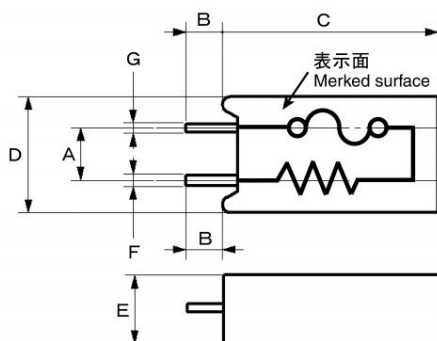


Features

- Thermal links / Resistor assemblies is a product that combined with thermal links of fusible alloy type and 5W wire wound resistor type.
- F5K is RoHS compliance product, non-Pb and non-Cd contains.
- F5K got excellent interception characteristic when abnormality overload happened.
- Especially, F5K adopted excellent characteristic resistive element against the In-rush current, and it is the best for preventing In-rush current.



Dimensions (mm)						
A	B	C	D	E	F	G
5±0.5	3.5+1, -0.5	25±1	13±0.5	9±0.5	0.80±0.04	0.58±0.04

Specification

Type No.	Nominal Resistance Value (Ω)	Resistance Tolerance (%)	Rated functioning temperature ($^{\circ}\text{C}$)	Rated Power (W)	Voltage (V)
F5K□□□J11	1.8~820	±5	117	1.3	AC250
F5K□□□J13-X	1.8~820		134	1.6	
F5K□□□J14-X	1.8~820		145	2.1	

Safety standard information

Type No.	Safety standard approval					
	PSE	UL	C-UL	VDE	CCC	KC
F5K□□□J11	-	E73591	E73591	-		

F5K□□□J13-X	-	E73591	E73591	40048105		
F5K□□□J14-X	-	E73591	E73591	40048057		

- Please feel free to contact us in regard of the details of safety standard approvals.
-