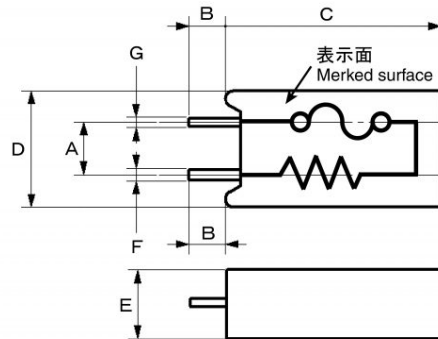


# P10K Series



## Features

- Thermal links / Resistor assemblies is a product that combined with thermal links of pellet type and 7W wire wound resistor type.
- P10K is RoHS compliance product, non-Pb and non-Cd contains.
- P10K got excellent interception characteristic when abnormality overload happened.
- Especially, P10K adopted excellent characteristic resistive element against the In-rush current, and it is the best for preventing In-rush current.



Dimensions (mm)						
A	B	C	D	E	F	G
7.5±0.5	3.5+1, -0.5	34±0.5	17.5±0.5	11±0.5	0.80±0.04	1.00±0.04

## Specification

Type No.	Nominal Resistance Value (Ω)	Resistance Tolerance (%)	Rated functioning temperature (°C)	Rated Power (W)	Voltage (V)
P10K□□□J13	1.8~1k	±5	133	4.5	AC250
P10K□□□J15	1.8~1k		157	5.0	

## Safety standard information

Type No.	Safety standard approval					
	PSE	UL	C-UL	VDE	CCC	KC
P10K□□□J13	-	E73591	E73591	-	-	-
P10K□□□J15	-	E73591	E73591	-	-	-

- Please feel free to contact us in regard of the details of safety standard approvals.