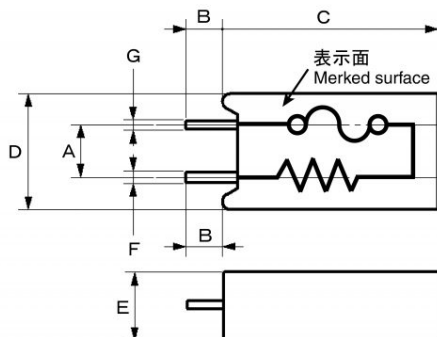


P7K Series



Features

- Thermal links / Resistor assemblies is a product that combined with thermal links of pellet type and 7W wire wound resistor type.
- P7K is RoHS compliance product, non-Pb and non-Cd contains.
- P7K got excellent interception characteristic when abnormality overload happened.
- Especially, P7K adopted excellent characteris



Dimensions (mm)						
A	B	C	D	E	F	G
5±0.5	3.5+1,-0.5	30±0.5	15±0.5	11±0.5	0.80±0.04	1.00±0.04

Specification

Type No.	Nominal Resistance Value (Ω)	Resistance Tolerance (%)	Rated functioning temperature (°C)	Rated Power (W)	Voltage (V)
P7K□□□J13	1.8~820	±5	133	3.0	AC250
P7K□□□J15	1.8~820		157	4.0	

Safety standard information

Type No.	Safety standard approval					
	PSE	UL	C-UL	VDE	CCC	KC
P7K□□□J13	-	E73591	E73591	-	-	-
P7K□□□J15	-	E73591	E73591	-	-	-

- Please feel free to contact us in regard of the details of safety standard approvals.